



# Insulated Structures

*Efficiency At Work*

## CURVATURE - CAKE



Standard Specifications	
• 2 x LED Lit Glass Shelves	• Valves (Brass Thermostatic)
• Sliding Drawer	• Powder Coated Cladding
• Bottom Pan	• Shaded Pole Fans
• Cladding as per Pricing Structure	• Standard Coil
• Rear Sliders	

Optional Specifications
• 20mm Glass Patch Ends
• Solid Colour Coded Patch Ends
• Wooden Front Baskets
• Cladding Options: Refer to Cladding Details Document. (Available on Request)
• Self-Contained Units (Available up to 8ft) Without any Dimensional Changes.

### Available in Remote and Self-Contained

*Leaders in world class innovation for bespoke end to end energy efficient refrigeration solutions*



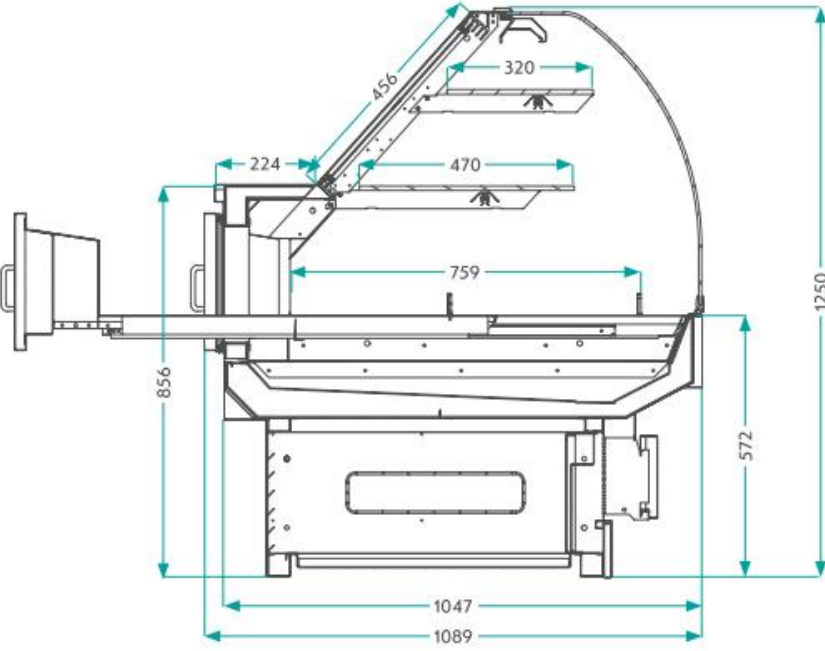
**Insulated Structures**  
*Efficiency At Work*



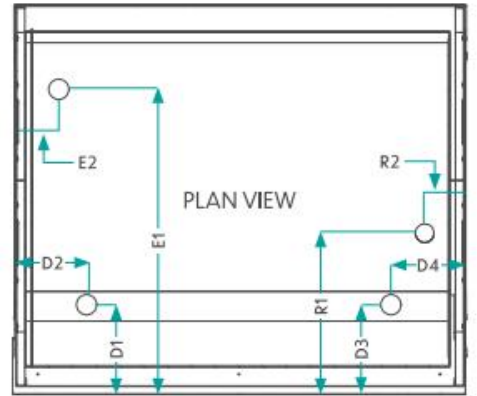
# Insulated Structures

*Efficiency At Work*

## CURVATURE - CAKE



SIDE SECTION VIEW



Physical Properties		
Size	Length (m)	TDA (m <sup>2</sup> )
4ft	1.220	1.18
6ft	1.830	1.80
8ft	2.440	2.41
12ft	3.660	3.64

Drain and Refrigeration Points								
D1	D2	D3	D4	E1	E2	R1	R2	
230mm	609mm	-	-	800mm	110mm	400mm	110mm	
230mm	914mm	-	-	800mm	110mm	400mm	110mm	
230mm	609mm	230mm	609mm	800mm	110mm	400mm	110mm	
230mm	600mm	230mm	609mm	800mm	110mm	400mm	110mm	

Refrigeration Requirements	
Refrigeration	Evaporation Temp
94W/ft	-5 °C

Electrical Specifications		
Evaporator Fans Fan Motor + Motor	Lighting Case (LED)	Lighting Shelf (LED)
2xØ154-28°/36W (SPM) or 24W (ECM)	1x16W	2x16W
2xØ154-28°/36W (SPM) or 24W (ECM)	1x25W	2x25W
2xØ154-28°/36W (SPM) or 24W (ECM)	2x16W	4x16W
4xØ154-28°/36W (SPM) or 24W (ECM)	3x16W	6x16W

*Leaders in world class innovation for bespoke end to end energy efficient refrigeration solutions*



Insulated Structures  
*Efficiency At Work*